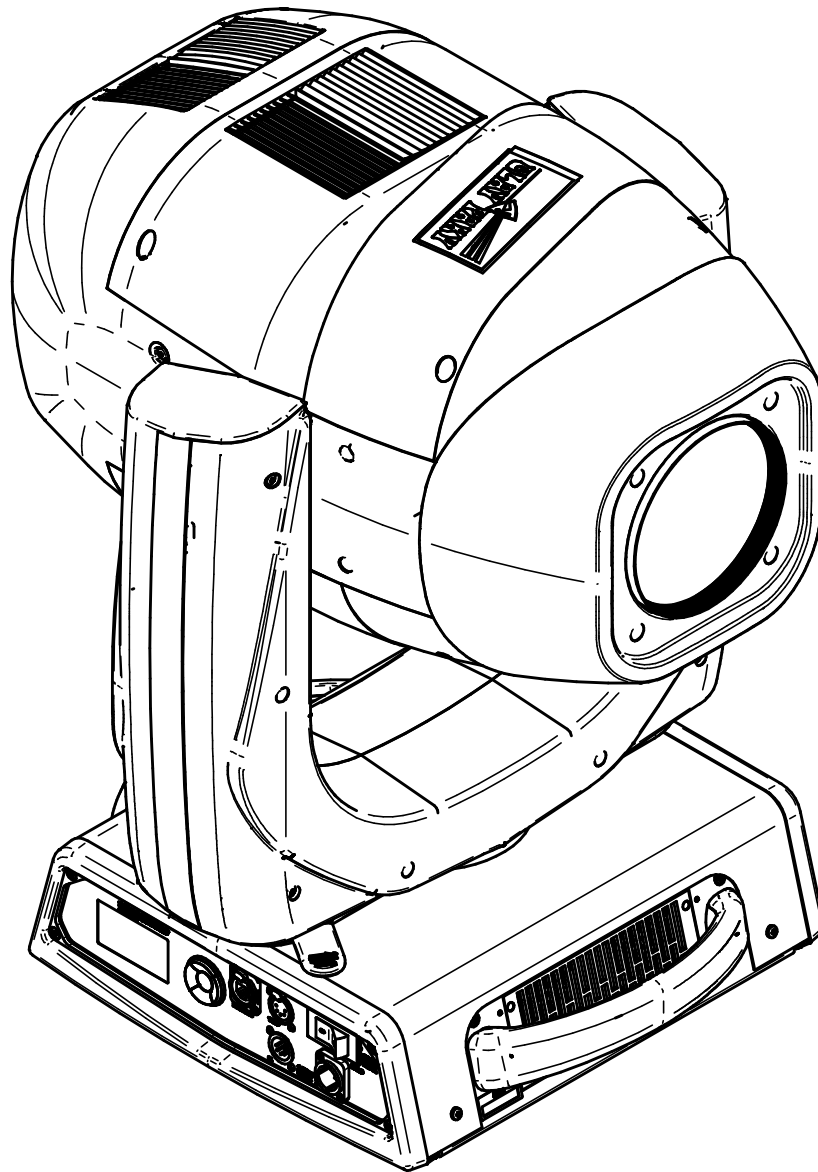




AN OSRAM BUSINESS

SCENIUS PROFILE

SPARE PARTS

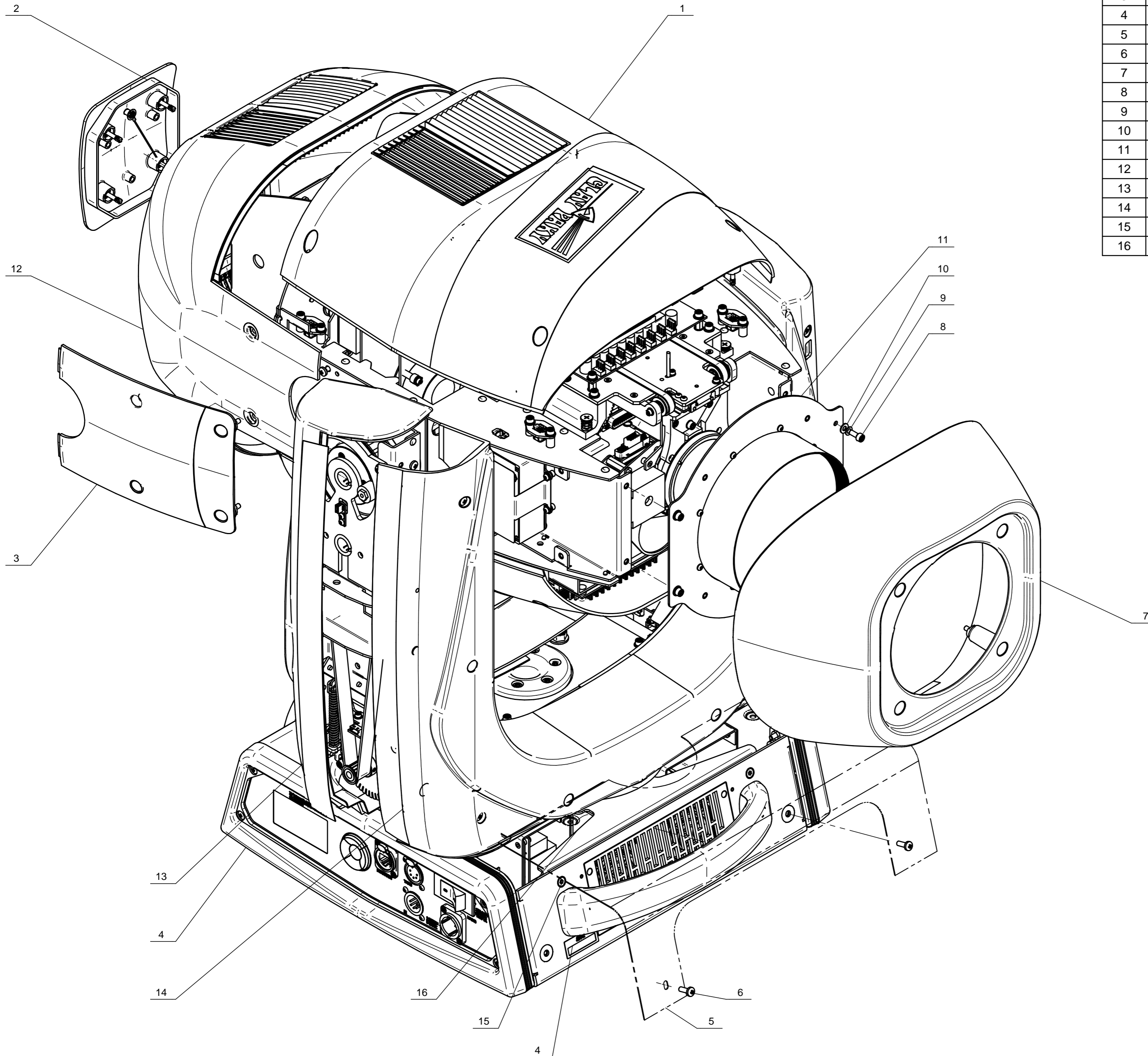


INDEX

Case	2
Base assembly (part1)	3
Base assembly (part2)	4
Base assembly (part3)	5
Control Panel assembly	6
Yoke assembly	7
Head/Lamp reflector assembly	8-9
Colour Mixing assembly	10
Effects assembly (part1)	11
Iris / Profile System	12-13
Optics assembly	14

SCENIUS PROFILE

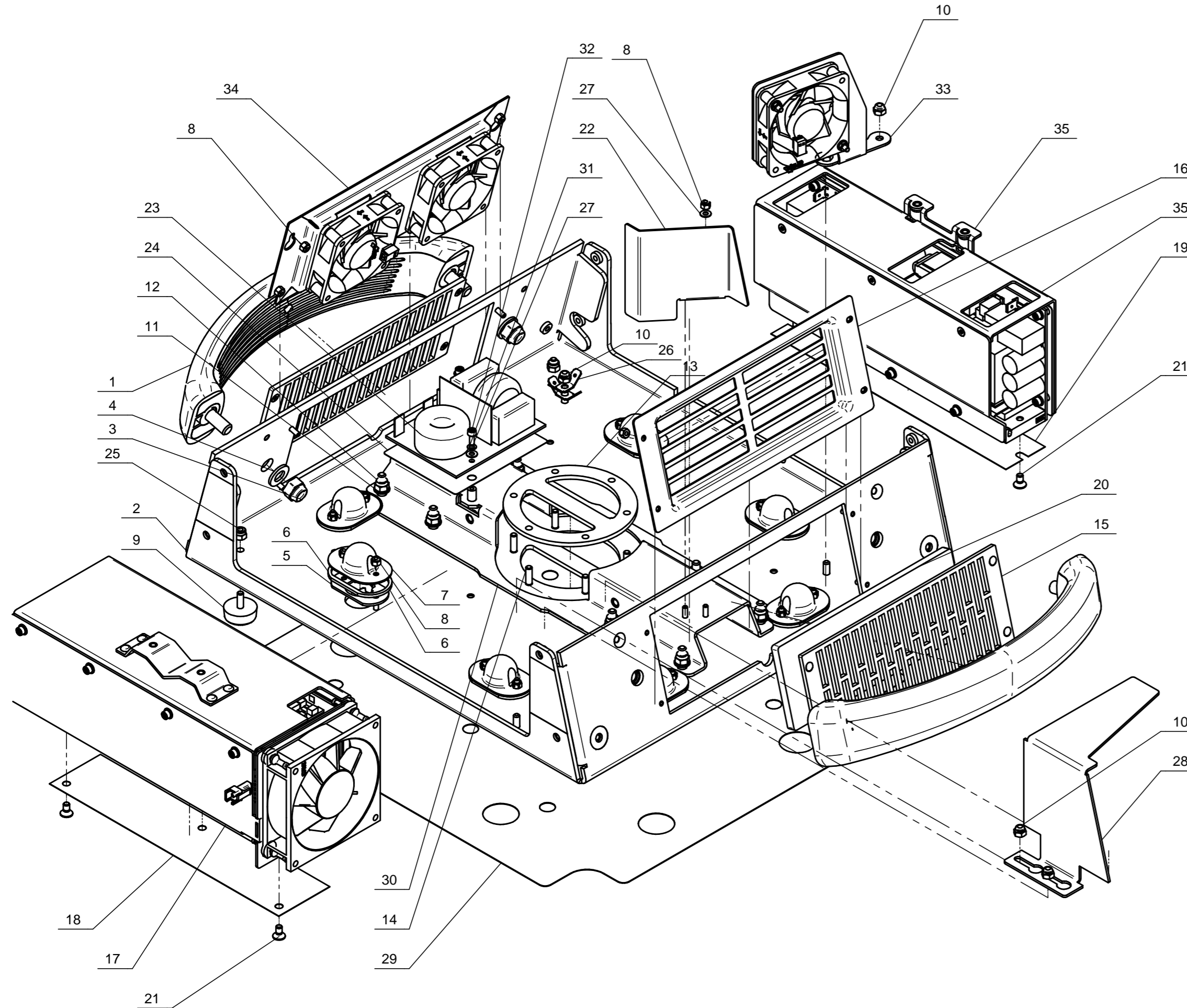
Case



N.	Part Number	Description
1	283015-801	Effects Cover Group SCENIUS
2	285021-801	Changing Lamp Cover Group SCENIUS
3	285016-801	Lateral Cover Group SCENIUS
4	283000-802	Base with Yoke Group Scenius PROFILE
5	283169-801	Base Carter
6	020004-025	Screw TCIC M4x12 UNI 7687 - Black Zinc Coated
7	285019-801	Front Flange Group SCENIUS
8	VTC00N	Screw TCCE M4x10 UNI EN ISO 14579 - Black Zinc Coated
9	020201-003	Safety Washer ø4.1 Schnorr BN 791 Black Zinc Coated
10	ROP005	Washer ø4.3 UNI 6592 - Black Zinc Coated
11	283018-801	Front Lens Group
12	283014-801	Back Cover Group SCENIUS
13	ETI05A-001	Label SCENIUS PROFILE
14	285014-802	With Drain Lever Yoke Group SCENIUS
15	VTS00D-001	Screw TSCE M4x8 UNI EN ISO 14584 - Black Zinc Coated
16	283057-801	Base Reinforcing plate

SCENIUS PROFILE

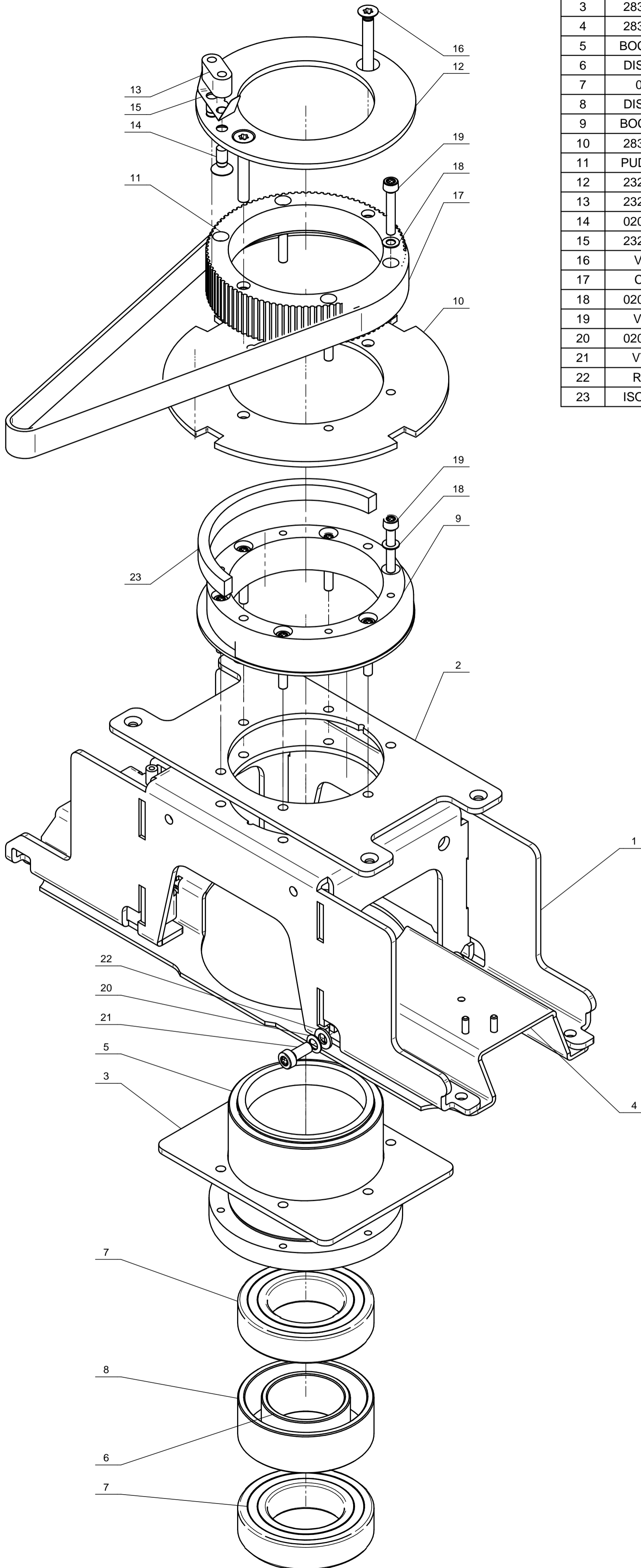
Base Assembly (Part. 1)



N.	Part Number	Description
1	299200-801	Hanlde Group
2	283574-801	Base Plate
3	020101-005	Self Locking Nut M8 UNI 7473 - White Zinc Coated - Nylon Insert
4	ROP008	Washer ø8.4 UNI 6592 - Black Zinc Coated
5	020412-001	Receptacle 991R2-1 AGV
6	088003-001	Receptacle Gasket 991R2-1AF
7	183133-002	Receptacle protection
8	020101-001	Self Locking Nut M3 UNI 7473 - White Zinc Coated - Nylon Insert
9	ANV003-001	Feet
10	020101-010	Self Locking Nut M4 UNI 7473 - AISI - Nylon Insert
11	ROP006	Washer ø5.3 UNI 6592 - Black Zinc Coated
12	020101-003	Self Locking Nut M5 UNI 7473 - White Zinc Coated - Nylon Insert
13	283075-001	Safety Plate
14	VTS00F-001	Screw TSCE M4x16 UNI EN ISO 14584 - Black Zinc Coated
15	283231-801	Ventilation Grid
16	283228-001	Ventilation Grid
17	283321-801	Lamp Power Supply Group
18	264101-001	Thermal Pad
19	264102-001	Thermal Pad
20	283132-001	Ventilation Filter
21	VTS00D-001	Screw TSCE M4x8 UNI EN ISO 14584 - Black Zinc Coated
22	283060-001	Air-duct plate
23	031877	Filter 13A (32 313 1010)
24	283111-002	Filter Mylar Protection
25	020101-002	Self Locking Nut M4 UNI 7473 - White Zinc Coated - Nylon Insert
26	030122	Faston Type B 6,3 x 0,8 45°
27	020210-005	Washer ø3.2 UNI 6592 - White Zinc Coated
28	283326-001	Fan Air-Duct
29	ETI05F-001	Warnings Label SCENIUS PROFILE
30	283552-801	Base Fixing plate
31	020201-002	Safety Washer ø3.2 Schnorr BN 791 Black Zinc Coated
32	VTC01E	Screw TCCE M3x08 UNI EN ISO 14579 - White Zinc Coated
33	283010-801	Base Fan Group
34	285151-801	Base Fan Group
35	283220-801	Power Supply Closure Plate Group

SCENIUS PROFILE

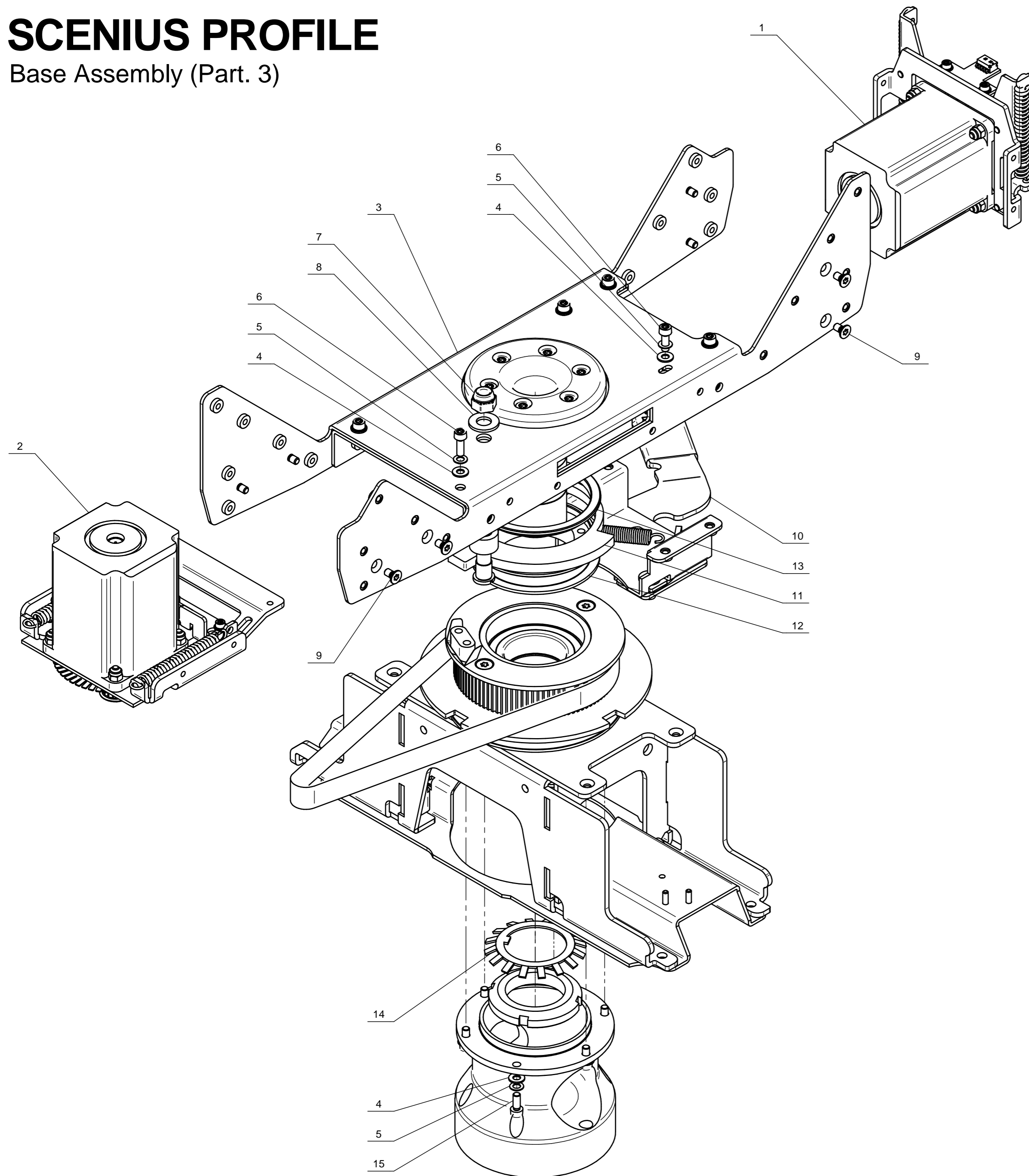
Base Assembly (Part. 2)



N.	Part Number	Description
1	283553-001	support Hub
2	283097-002	Reinforcing Plate
3	283097-001	Reinforcing Plate
4	283552-801	Base Fixing plate
5	BOC00U-001	Bearing Bush
6	DIS017-001	Cylindrical Spacer Ø40 ø35 H=21
7	021016	Ball Bearing ø35Ø62x14 - 6007-ZZ
8	DIS018-001	Cylindrical Spacer Ø62 ø55.5 H=21
9	BOC00X-001	Bush
10	283058-001	Block disc Pan
11	PUD018-001	Toothed Pulley Z96 HTD
12	232121-001	Locking Fixing Plate PAN
13	232122-001	PAN Stopping Rotation Worked Block
14	020005-010	Screw TSPEI M5x12 UNI 5933 - Black Zinc Coated
15	232123-001	Compression Spring PAN
16	VTS013	Screw TSCE M5 x 35 UNI EN ISO 14584 - Black Zinc Coated
17	CID01D	Toothed Belt HTD 0537-3M-15 (Aramid Fiber)
18	020201-003	Safety Washer ø4.1 Schnorr BN 791 Black Zinc Coated
19	VTC00T	Screw TCCE M4x25 UNI EN ISO 14579 - Black Zinc Coated
20	020201-009	Safety Washer ø5.1 Schnorr BN 791 Black Zinc Coated
21	VTC01M	Screw TCCE M5x12 UNI EN ISO 14579 - Black Zinc Coated
22	ROP006	Washer ø5.3 UNI 6592 - Black Zinc Coated
23	ISO001-004	Electric Conductive Sponge

SCENIUS PROFILE

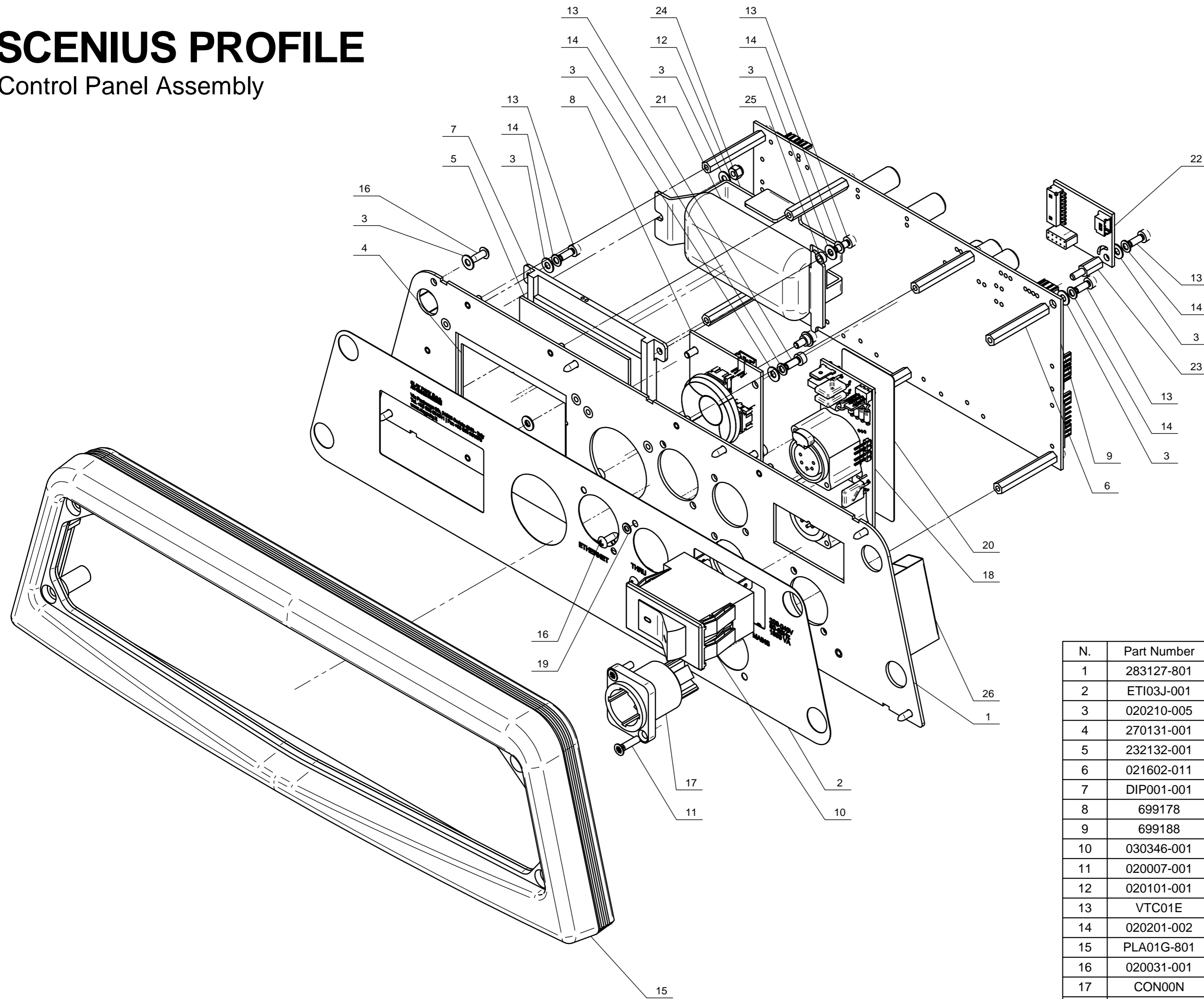
Base Assembly (Part. 3)



N.	Part Number	Description
1	283104-801	TILT motor Group
2	283103-801	PAN motor Group
3	283092-801	PAN Rotation Crossbeam
4	ROP005	Washer \varnothing 4.3 UNI 6592 - Black Zinc Coated
5	020201-003	Safety Washer \varnothing 4.1 Schnorr BN 791 Black Zinc Coated
6	VTC000	Screw TCCE M4x12 UNI EN ISO 14579 - Black Zinc Coated
7	020101-005	Self Locking Nut M8 UNI 7473 - White Zinc Coated - Nylon Insert
8	020210-003	Washer \varnothing 8.4 UNI 6592 - White Zinc Coated
9	VTS00D-001	Screw TSCE M4x8 UNI EN ISO 14584 - Black Zinc Coated
10	283005-801	TILT Block Group
11	232120-001	Locking Plate PAN
12	232094-001	Flange
13	082018-001	Spacer
14	020218	Lock Washer MB 07 White Zinc Coated
15	VTC00N	Screw TCCE M4x10 UNI EN ISO 14579 - Black Zinc Coated

SCENIUS PROFILE

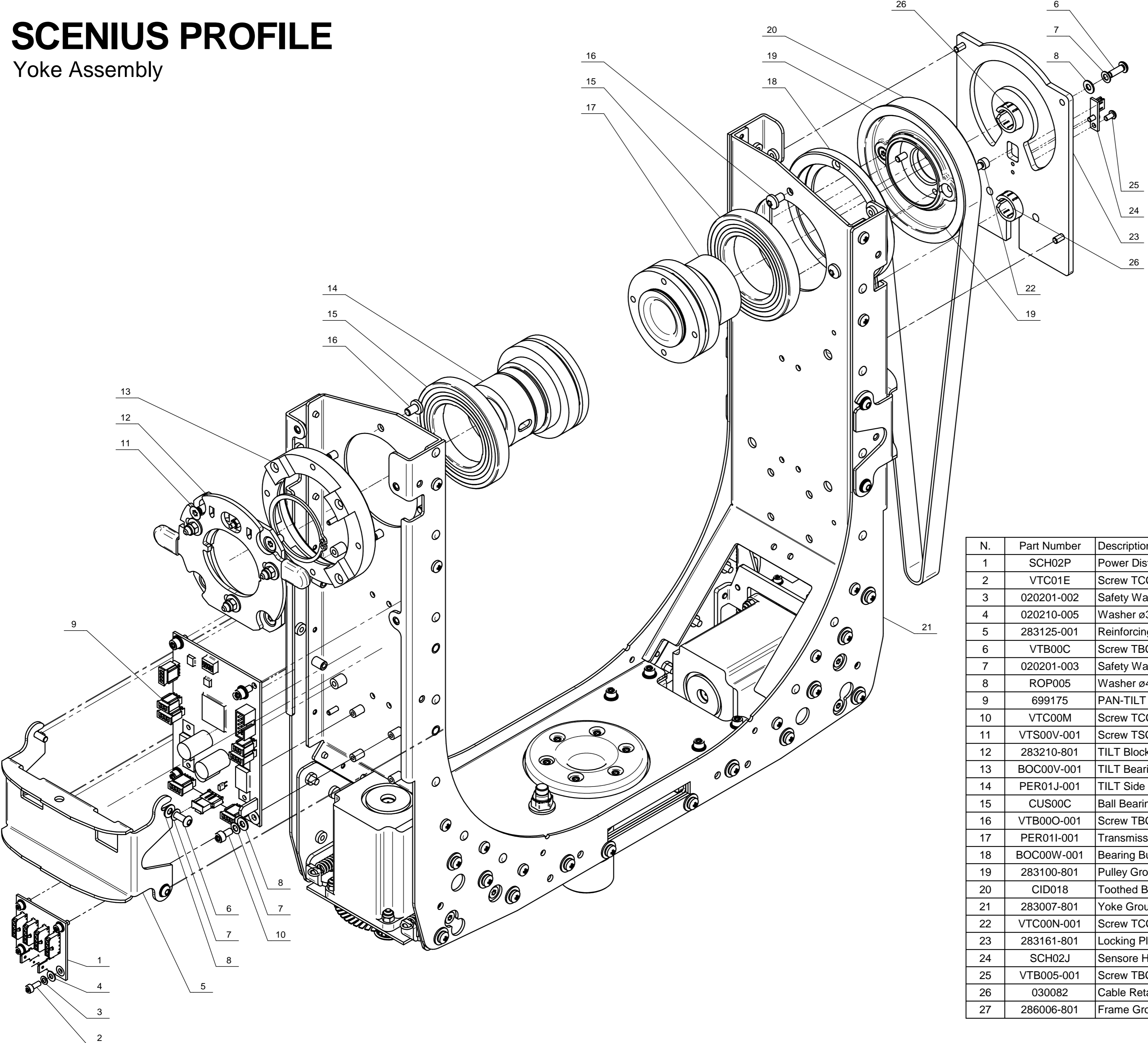
Control Panel Assembly



N.	Part Number	Description
1	283127-801	Electronic Fixing Plate
2	ETI03J-001	Control panel Label SCENIUS
3	020210-005	Washer ø3.2 UNI 6592 - White Zinc Coated
4	270131-001	Display Fixing Plate
5	232132-001	Display LCD Protection
6	021602-011	Hexagonal Spacer FF M3 H=35 - Nickel-Plated Brass
7	DIP001-001	LCD Graphic Display - MGGF064D8B
8	699178	User MEC Electronic Board
9	699188	CPU Electronic Board
10	030346-001	Automatic Switch 3120-F521-H7T1-WO1D-12A
11	020007-001	Screw TSPIC M3x12 UNI 7688 - White Zinc Coated
12	020101-001	Self Locking Nut M3 UNI 7473 - White Zinc Coated - Nylon Insert
13	VTC01E	Screw TCCE M3x08 UNI EN ISO 14579 - White Zinc Coated
14	020201-002	Safety Washer ø3.2 Schnorr BN 791 Black Zinc Coated
15	PLA01G-801	Group Panel Rear
16	020031-001	Screw AfTBIC Ø2.9x9.5 ISO 7049 - White Zinc Coated
17	CON00N	Inlet Connector Powercon Neutrik (NAC3MPX)
18	SCH02B	DMX 5 Poles Connection Electronic Board
19	020217-008	Plastic washer ø2.7xØ5x0.5 Neutral
20	283111-001	DMX Connector Mylar Protection
21	030386	Battery 6.4V 1.5A - HFM6.4-15E2
22	699214	Deviator Electronic Board RS232 CP 0119
23	021604	Hexagonal Spacer MF M3 H=10 - Nickel-Plated Brass
24	283081-001	Battery Fixing Plate
25	080601-008	Cylindrical Spacer Ø5 ø3.2 H=2
26	ISO002-001	Insulating DRE10x20NI-N5V0-40

SCENIUS PROFILE

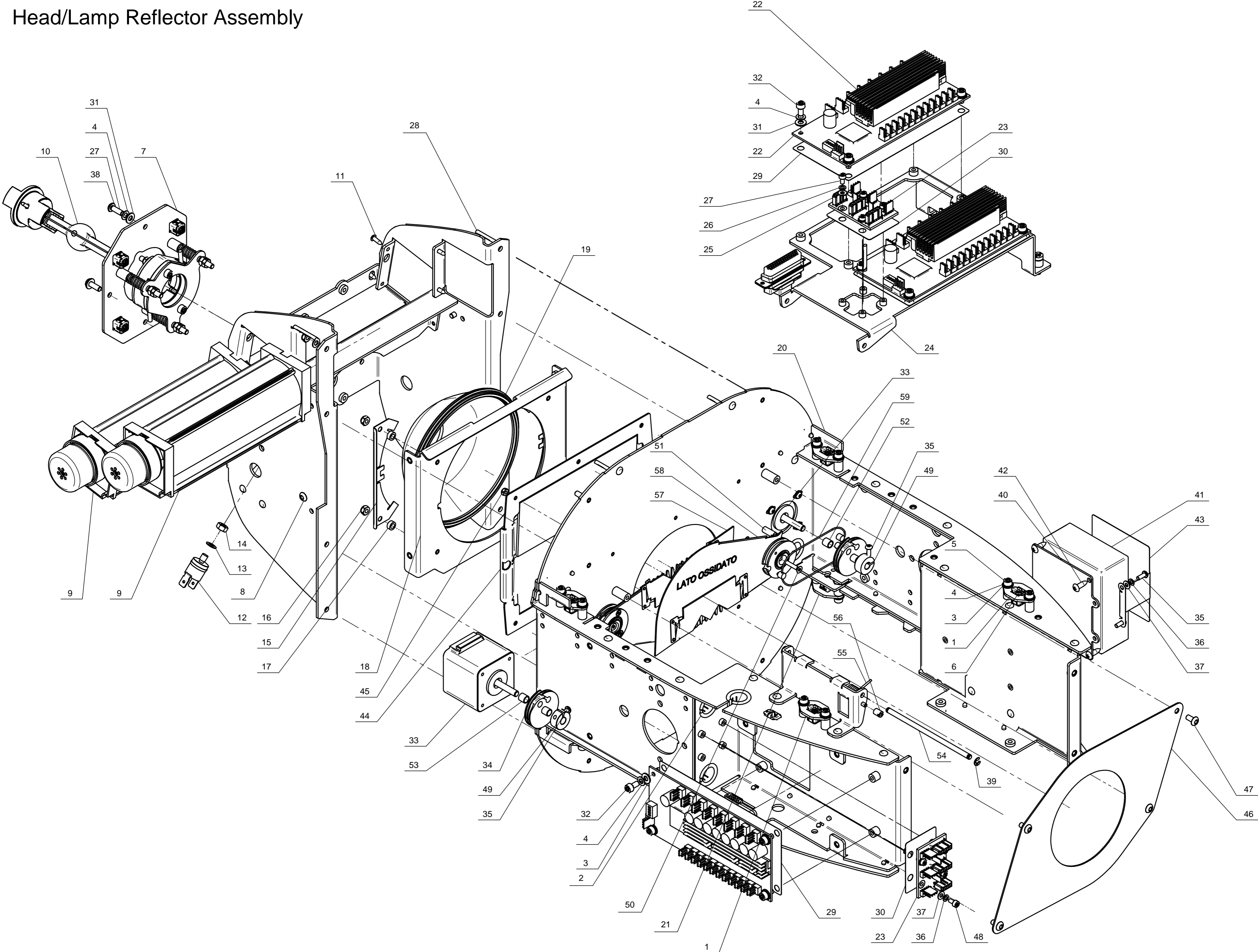
Yoke Assembly



N.	Part Number	Description
1	SCH02P	Power Distribution Electronic Board
2	VTC01E	Screw TCCE M3x08 UNI EN ISO 14579 - White Zinc Coated
3	020201-002	Safety Washer ø3.2 Schnorr BN 791 Black Zinc Coated
4	020210-005	Washer ø3.2 UNI 6592 - White Zinc Coated
5	283125-001	Reinforcing Plate
6	VTB00C	Screw TBCE M4x12 UNI EN ISO 14583 - Black Zinc Coated
7	020201-003	Safety Washer ø4.1 Schnorr BN 791 Black Zinc Coated
8	ROP005	Washer ø4.3 UNI 6592 - Black Zinc Coated
9	699175	PAN-TILT Electronic Board CP101
10	VTC00M	Screw TCCE M4x08 UNI EN ISO 14579 - Black Zinc Coated
11	VTS00V-001	Screw TSCE M5x10 UNI EN ISO 14584 - Black Zinc Coated
12	283210-801	TILT Block Group
13	BOC00V-001	TILT Bearing Bush
14	PER01J-001	TILT Side Stud
15	CUS00C	Ball Bearing ø45xØ75x10 - 160009 2RS
16	VTB00C-001	Screw TBCE M5x08 UNI EN ISO 14583 - Black Zinc Coated
17	PER01I-001	Transmission Side Stud TILT
18	BOC00W-001	Bearing Bush
19	283100-801	Pulley Group With Magnet Z96 HTD
20	CID018	Toothed Belt HTD 0804-3M-15 (Aramid Fiber)
21	283007-801	Yoke Group
22	VTC00N-001	Screw TCCE M4x10 UNI EN ISO 14579 - Black Zinc Coated
23	283161-801	Locking Plate
24	SCH02J	Sensore Hall Electronic Board
25	VTB005-001	Screw TBCE M3x06 UNI EN ISO 14583 - Black Zinc Coated
26	030082	Cable Retainer ø20.2 - Heyco OCB-750
27	286006-801	Frame Group

SCENIUS PROFILE

Head/Lamp Reflector Assembly



SCENIUS PROFILE

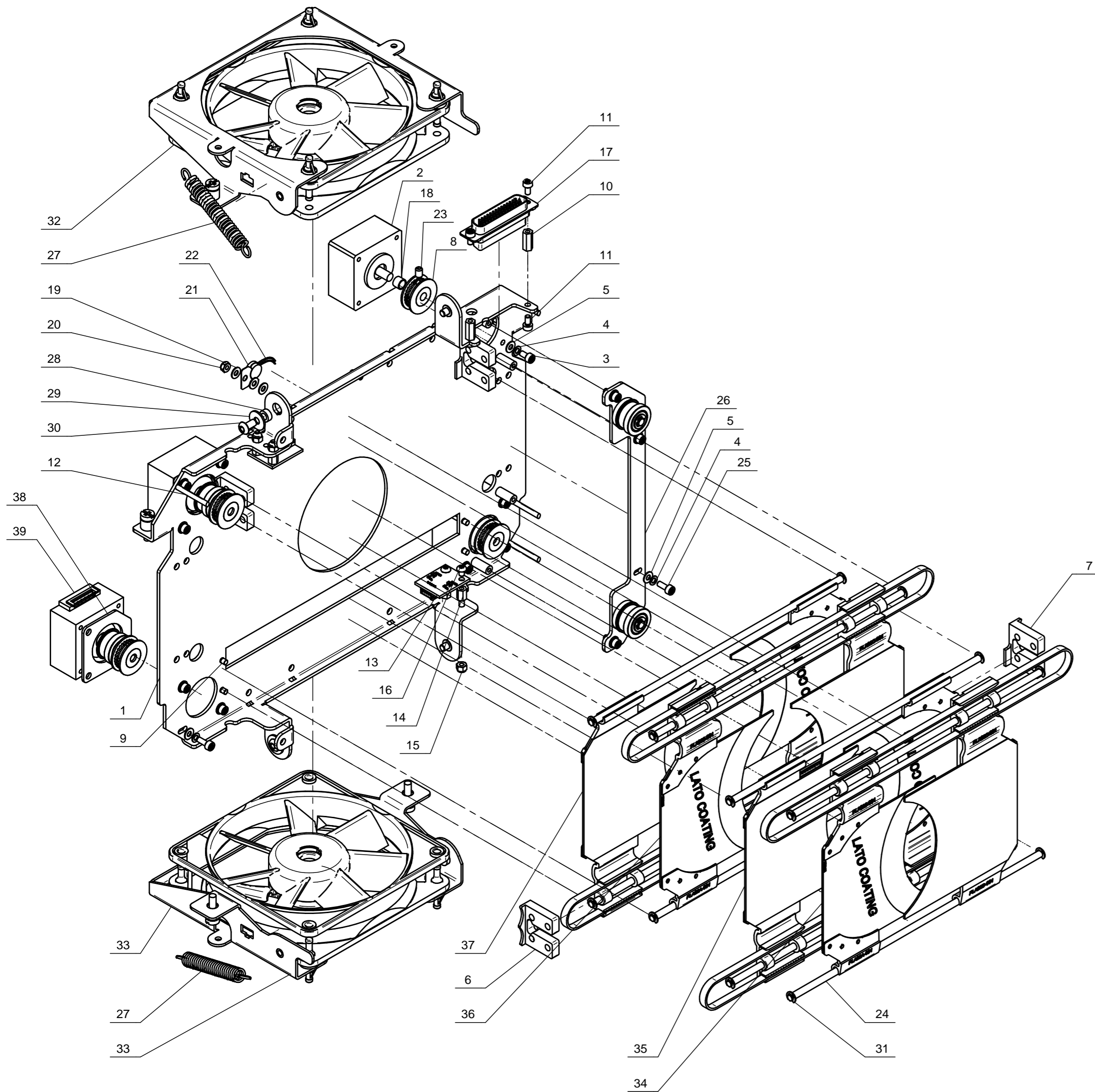
Head/Lamp Reflector Assembly INDEX

N.	Part Number	Description
1	232020-001	Fixing Plate
2	030082	Cable Retainer ø20.2 - Heyco OCB-750
3	ROP005	Washer ø4.3 UNI 6592 - Black Zinc Coated
4	020201-003	Safety Washer ø4.1 Schnorr BN 791 Black Zinc Coated
5	VTC00N	Screw TCCE M4x10 UNI EN ISO 14579 - Black Zinc Coated
6	020445-001	Receptacle Soutcho D8-334-200-190
7	283120-801	Lamp-Holder Support Group SCENIUS
8	VTB00G-001	Screw TBCE M4x06 UNI EN ISO 14583 - Black Zinc Coated
9	283050-803	Radial Lamp Fan Group
10	LAM00I-001	OSRAM Lok-it 1400-PS [C.I.] Lamp
11	020031-001	Screw AfTBIC Ø2.9x9.5 ISO 7049 - White Zinc Coated
12	030374	Thermostat - R28 140 C° Series
13	020201-009	Safety Washer ø5.1 Schnorr BN 791 Black Zinc Coated
14	020106-004	Medium Nut M5 UNI 5588 - White Zinc Coated
15	285062-001	Flat Spring
16	020114-001	Self Locking Nut M4 UNI 7474 - White Zinc Coated - Metal Insert
17	080630-001	Cylindrical spacer D7 d4.2 h=3
18	286312-801	Reflector Support Plate
19	RIF00A	Reflector Facetted Lok-it
20	283099-002	Fixing Plate
21	283099-001	Fixing Plate
22	298011-801	8 Drivers Board Group
23	SCH01R	BUS and Power Derivation Electronic Board
24	285202-802	Electronic Board Support
25	020210-005	Washer ø3.2 UNI 6592 - White Zinc Coated
26	020205-005	Safety Washer ø3.1 Schnorr BN 791 AISI
27	VTC01C	Screw TCCE M3x06 UNI EN ISO 14579 - White Zinc Coated
28	FAS002	Cable Clamp Ø4.1 PVC Black
29	298112-002	Mylar Protection for 8 Driver Mini Board
30	299111-002	Mylar Protection for Derivation Board
31	020210-007	Washer ø4.3 UNI 6592 - White Zinc Coated
32	VTC00M	Screw TCCE M4x08 UNI EN ISO 14579 - Black Zinc Coated
33	031956	Single Shaft Motor 42 x 42 L=24
34	PER02H-001	Stud
35	VTB002	Screw TBCE M3x08 UNI EN ISO 14583 - Black Zinc Coated

N.	Part Number	Description
36	020201-002	Safety Washer ø3.2 Schnorr BN 791 Black Zinc Coated
37	020210-020	Washer ø3.2 UNI 6592 - Black Zinc Coated
38	VTB00C	Screw TBCE M4x12 UNI EN ISO 14583 - Black Zinc Coated
39	020601-001	Circlips for Shaft C72 - UNI 7434 Brurnished 3.2 (albero ø4)
40	283077-001	Ignitor Support Plate
41	ACC004	Ignitor KZG 20-5 - 32 572 1020
42	020031-010	Screw AfTBIC Ø3.9x13 ISO 7049 - White Zinc Coated
43	283028-001	Insulating
44	285310-801	IR Filter Group
45	020112-001	Self Locking Nut M3 UNI 7474 - White Zinc Coated - Metal Insert
46	283056-001	Beam Size Reducer
47	VTB00D-001	Screw TBCE M4x08 UNI EN ISO 14583 - Black Zinc Coated
48	VTC009	Screw TCCE M3x06 UNI EN ISO 14579 - Black Zinc Coated
49	BOC022-001	Bush
50	VTS00M-001	Screw TSCE M3x16 UNI EN ISO 14584 - White Zinc Coated
51	081004-003	Cylindrical End Stopper ø5 M3 H12
52	086026-014	Cylindrical Spacer Ø6.3 ø5.1 h6.2
53	086026-013	Cylindrical Spacer Ø6.3 ø5.1 h6
54	083860-003	Stud Ø4
55	081484-001	Compression Spring
56	081004-014	Cylindrical End Stopper ø5 M3 H=6.5
57	286304-802	Dimmer Blade Group
58	286304-801	Dimmer Blade Group
59	FUN002-801	Transmission Rope

SCENIUS PROFILE

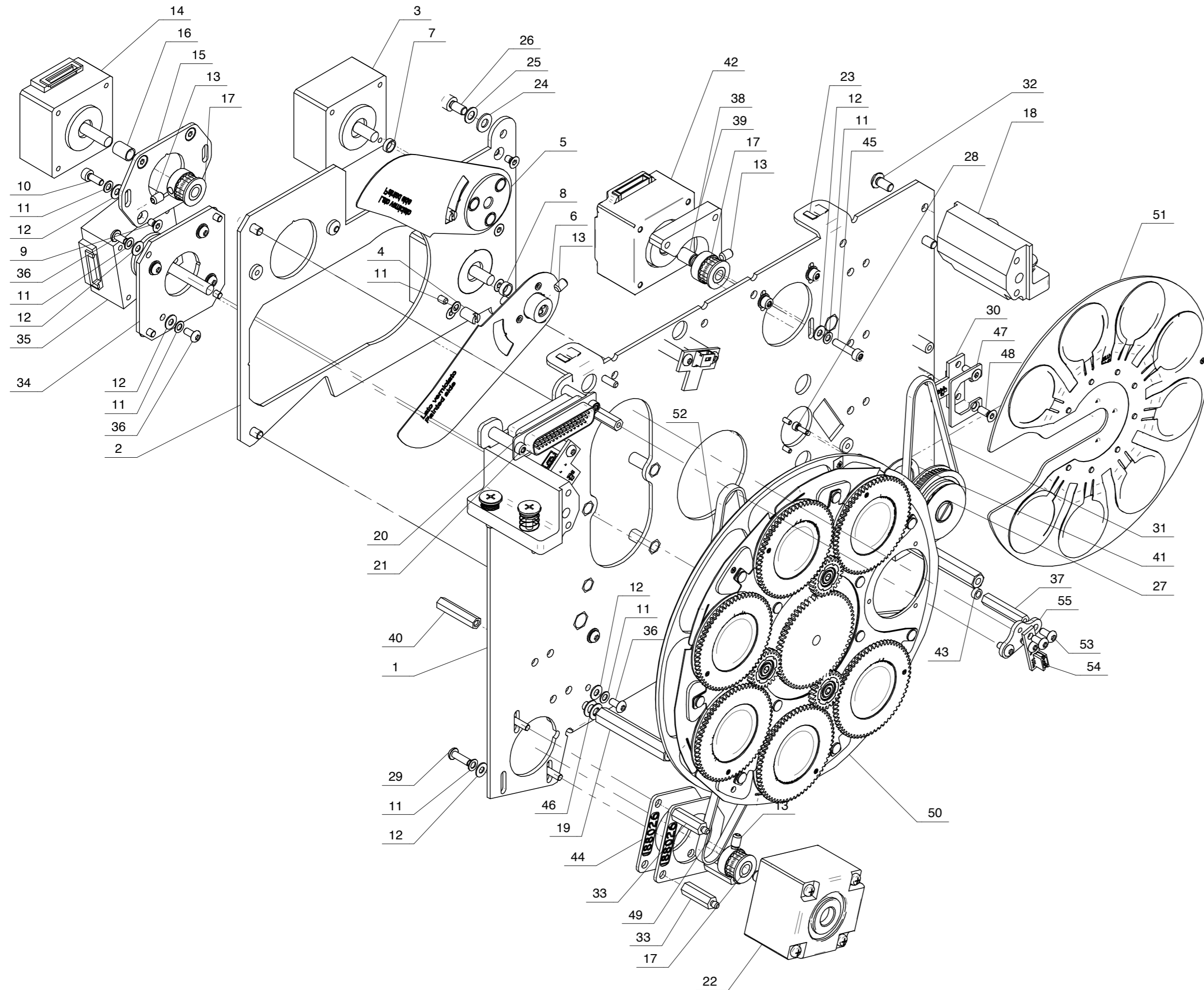
Colour Mixing Assembly



N.	Part Number	Description
1	286047-801	Evenescence Plate SCENIUS
2	031959	Single Shaft Motor 39 x 39 L=10
3	VTC009	Screw TCCE M3x06 UNI EN ISO 14579 - Black Zinc Coated
4	020201-002	Safety Washer ø3.2 Schnorr BN 791 Black Zinc Coated
5	020210-020	Washer ø3.2 UNI 6592 - Black Zinc Coated
6	286049-002	CMY Stud Support
7	286049-001	CMY Stud Support
8	PUD01E-801	Toothed Pulley Z28 MXL
9	VTS017-001	Screw TSCE M3x05 UNI EN ISO 14584 - Black Zinc Coated
10	021602-001	Hexagonal Spacer FF M3 H=12 - Nickel-Plated Brass
11	VTC009-001	Screw TCCE M3x06 UNI EN ISO 14579 - Black Zinc Coated
12	031289	Cable Clamp Ø3.3 PVC Black
13	SCH030	Sensore Hall Electronic Board
14	021603	Hexagonal Spacer MF M3 H=7 - Nickel-Plated Brass
15	020101-001	Self Locking Nut M3 UNI 7473 - White Zinc Coated - Nylon Insert
16	VTB004	Screw TBCE M3x04 UNI EN ISO 14583 - Black Zinc Coated
17	CAB05E-801	Motor Wiring CMY SCENIUS
18	086026-005	Cylindrical Spacer Ø6.3 ø5.1 h4.5
19	020210-005	Washer ø3.2 UNI 6592 - White Zinc Coated
20	020112-001	Self Locking Nut M3 UNI 7474 - White Zinc Coated - Metal Insert
21	030377	Cut Out Thermal F11 Clamp MicroTherm B224
22	650080-002	CUT-OUT Wiring F11 U185 K 110° whith Connector
23	020016-002	Grub Screw PP UNI 5923 M4x06 Black Zinc Coated
24	PER02C-001	Stud Ø4
25	VTC00A	Screw TCCE M3x08 UNI EN ISO 14579 - Black Zinc Coated
26	286047-802	Support Group
27	081471-001	Extension Spring
28	080630-001	Cylindrical spacer D7 d4.2 h=3
29	020212-006	Washer ø4.3xØ12x1 UNI 6593 - White Zinc Coated
30	VTB00D	Screw TBCE M4x08 UNI EN ISO 14583 - Black Zinc Coated
31	020601-001	Circlips for Shaft C72 - UNI 7434 Brurnished 3.2 (albero ø4)
32	286051-803	Input Fan Group
33	286051-804	Output Fan Group
34	286570-801	Cyan CMY Group - Profile
35	286570-802	Magenta CMY Group - Profile
36	286570-803	Yellow CMY Group - Profile
37	286570-804	CTO CMY Group - Profile
38	188026-001	Motor Insulating
39	286050-801	motor Group

SCENIUS PROFILE

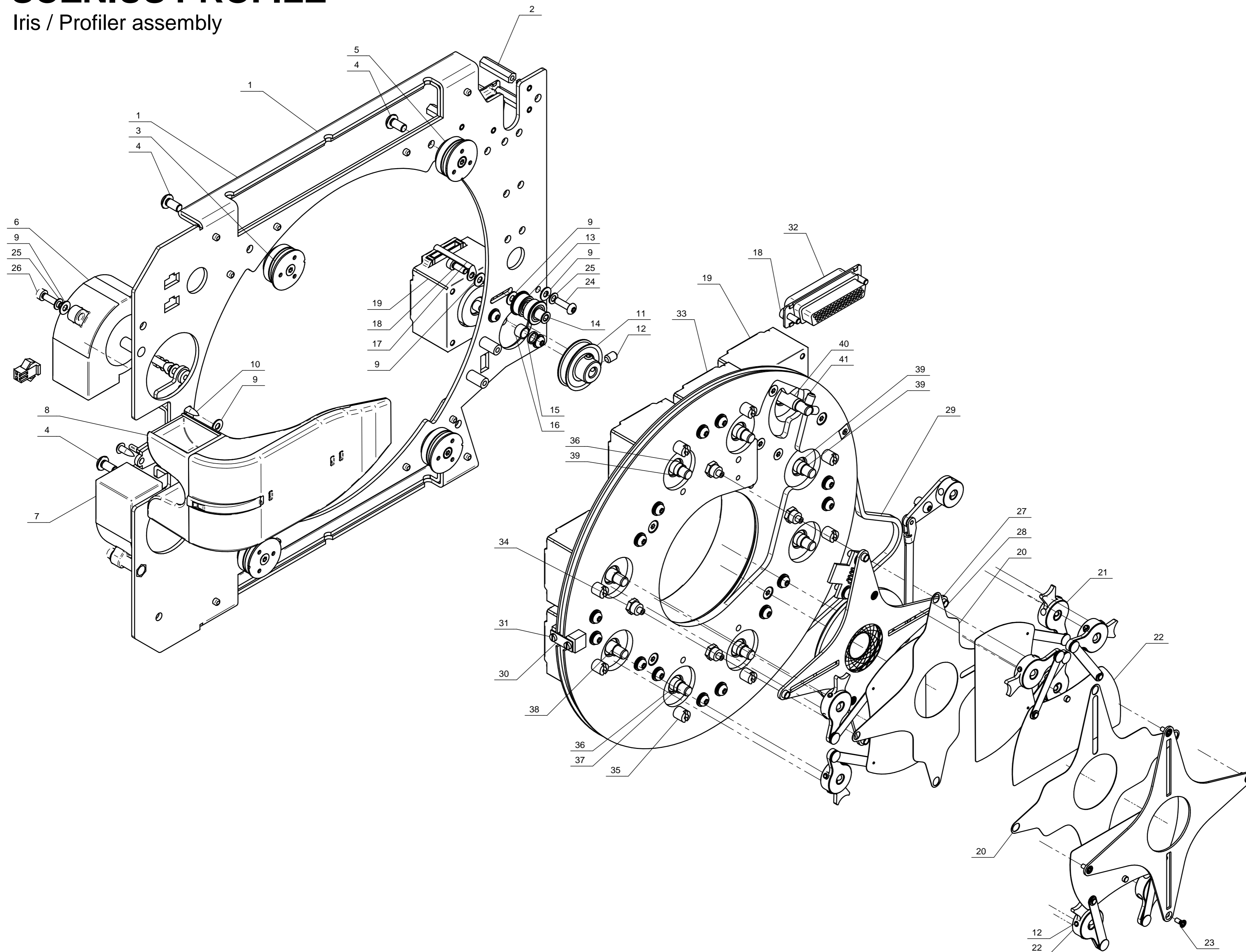
Effects Assembly (Part 1)



N.	Part Number	Description
1	286151-801	Effects Motors Plate
2	322151-802	Effects Motors Plate
3	MOP016	Single Shaft Motor 39 x 39 L=12
4	081004-011	Cylindrical End Stopper ø5 M3 H8
5	286055-802	Strobo Blade Group
6	286055-801	Strobo Blade Group
7	086026-002	Cylindrical Spacer Ø6.3 ø5.1 h2
8	086026-003	Cylindrical Spacer Ø6.3 ø5.1 h2.5
9	VTS017-001	Screw TSCE M3x05 UNI EN ISO 14584 - Black Zinc Coated
10	VTC00A	Screw TCCE M3x08 UNI EN ISO 14579 - Black Zinc Coated
11	020201-002	Safety Washer ø3.2 Schnorr BN 791 Black Zinc Coated
12	020210-020	Washer ø3.2 UNI 6592 - Black Zinc Coated
13	020016-002	Grub Screw PP UNI 5923 M4x06 Black Zinc Coated
14	031960	Single Shaft Motor 39 x 39 L=16.5
15	286151-003	Motor Plate
16	086026-015	Cylindrical Spacer Ø6.3 ø5.1 h8.3
17	PUD01A-801	Toothed Pulley Z20 MXL
18	285140-801	Supporting block effects plate
19	DIS01E-001	Hexagonal Spacer FF M4 CH=7 H=44.5
20	CAB075-801	Motor Wiring Color-Gobo Wheel SCENIUS
21	VTC009-001	Screw TCCE M3x06 UNI EN ISO 14579 - Black Zinc Coated
22	MOP017	Single Shaft Motor 39 x 39 L=16.5
23	020118-006	Captive nut M4 sp. 1.7-2.3
24	ROP005	Washer ø4.3 UNI 6592 - Black Zinc Coated
25	020201-003	Safety Washer ø4.1 Schnorr BN 791 Black Zinc Coated
26	VTC00M	Screw TCCE M4x08 UNI EN ISO 14579 - Black Zinc Coated
27	286190-801	Pin Group
28	020002-072	Screw TCEI M2x06 UNI 5931 - AISI
29	VTB006	Screw TBCE M3x10 UNI EN ISO 14583 - Black Zinc Coated
30	699177	Sensore Hall Electronic Board CP0130
31	021789-001	Toothed Belt 0824 MXL 012 (Z103 Sviluppo 209.296) HSN-40N
32	VTB00D-001	Screw TBCE M4x08 UNI EN ISO 14583 - Black Zinc Coated
33	DIS028-001	Hexagonal Spacer MF M3 H=17 - Nickel-Plated Brass
34	286151-004	Motor Plate
35	031963	Single shaft motor 39 x 39 L=40
36	VTB005	Screw TBCE M3x06 UNI EN ISO 14583 - Black Zinc Coated
37	021602-013	Hexagonal Spacer FF M3 H=25 - Nickel-Plated Brass
38	086026-007	Cylindrical Spacer Ø6.3 ø5.1 h7.5
39	286052-001	Spacer Plate
40	080692-005	Hexagonal Spacer FF M3 CH=5 H=23.2
41	286053-001	Spacer Plate
42	MOP01P	Single Shaft Motor 39 x 39 L=20
43	080601-008	Cylindrical Spacer Ø5 ø3.2 H=2
44	188026-001	Motor Insulating
45	VTC01A	Screw TCCE M3x14 UNI EN ISO 14579 - White Zinc Coated
46	020216-002	Thickning washer ø4xØ8x0.5 - PS ST2K60 DIN988
47	083971-001	Senosor Protection
48	VTS019-001	Screw TSCE M3x08 UNI EN ISO 14584 - Black Zinc Coated
49	021761-001	Toothed Belt MXL 1280 019 (Z160 Sviluppo 325.12) HSN-N40
50	286075-801	Rotating Gobo Wheel
51	286110-801	Fixed Gobo Disc Group
52	CID006-001	Toothed Belt 0680 MXL 012 (Z85 Sviluppo 172.72) HSN-40N
53	VTB005-001	Screw TBCE M3x06 UNI EN ISO 14583 - Black Zinc Coated
54	SCH02J	Sensore Hall Electronic Board
55	286148-001	Sensor Support Plate

SCENIUS PROFILE

Iris / Profiler assembly



SCENIUS PROFILE

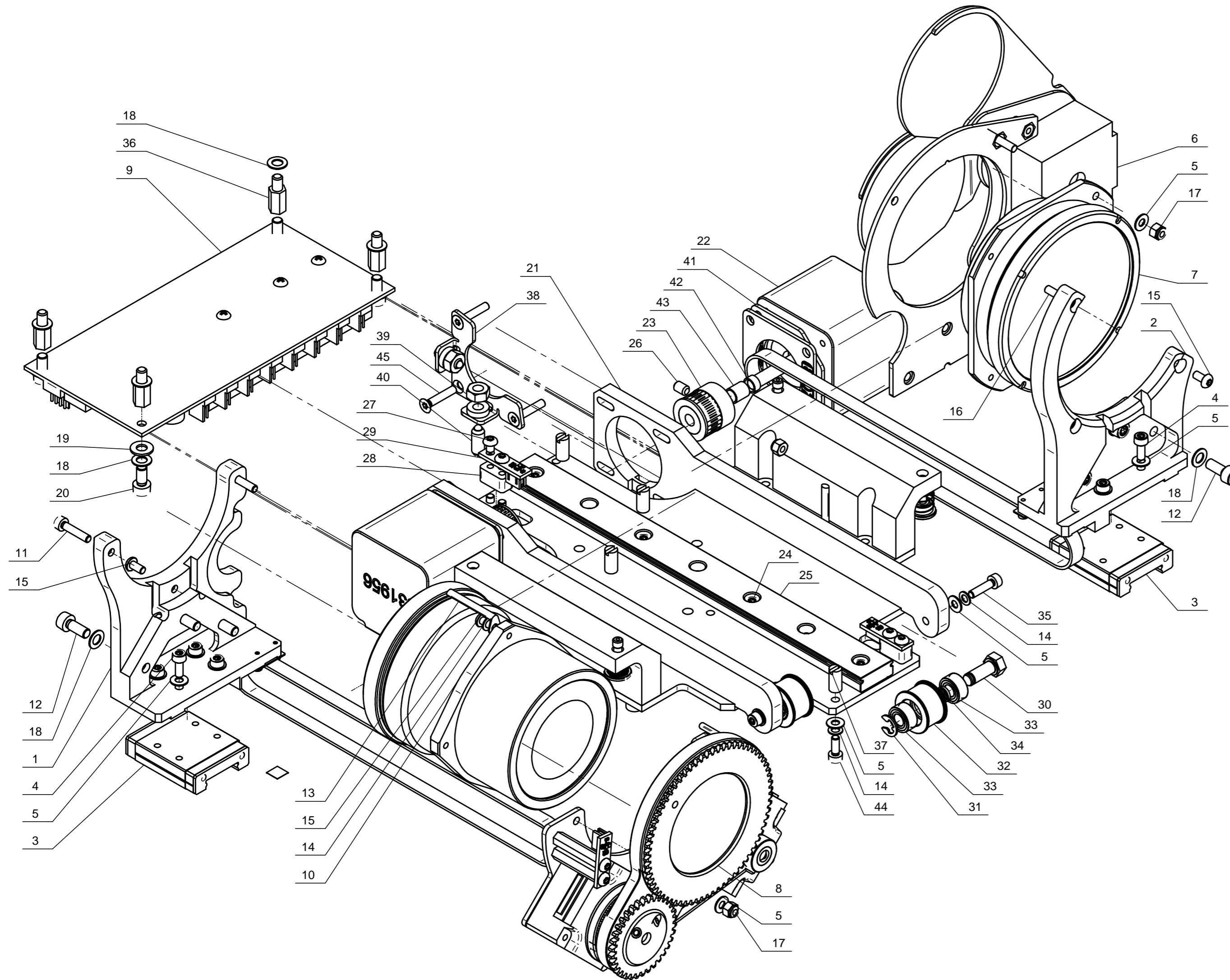
Iris / Profiler assembly INDEX

N.	Part Number	Description
1	286235-801	Motor Plate
2	021602-002	Hexagonal Spacer FF M3 H=20 - Nickel-Plated Brass
3	286208-802	Eccentric Pin Group
4	VTB00D	Screw TBCE M4x08 UNI EN ISO 14583 - Black Zinc Coated
5	286208-801	Concentric Pin Group
6	237078-801	
7	286080-801	Fan Group With Connector
8	PLA02I-802	Effects Air-Duct
9	020210-020	Washer ø3.2 UNI 6592 - Black Zinc Coated
10	020031-016	Screw AfTBIC Ø2.9x9.5 ISO 7049 - Black Zinc Coated
11	081253-001	Pulley Z25 RPP3
12	020016-002	Grub Screw PP UNI 5923 M4x06 Black Zinc Coated
13	021010-001	Flanged Ball Bearing ø5xØ11x5 ø12.5 - FLW685ZZA
14	081576-002	Bush D5 M3 H10
15	080697-002	Cylindrical Spacer Ø6.3 ø5.1 H=1
16	086026-008	Cylindrical Spacer Ø6.3 ø5.1 h4
17	031289	Cable Clamp Ø3.3 PVC Black
18	VTC00A	Screw TCCE M3x08 UNI EN ISO 14579 - Black Zinc Coated
19	MOP01P	Single Shaft Motor 39 x 39 L=20
20	286131-001	Intermediate Plate
21	286138-802	Blade Group
22	286138-801	Blade Group
23	020007-005	Screw TSPIC M2x05 UNI 7688 - AISI
24	VTB006	Screw TBCE M3x10 UNI EN ISO 14583 - Black Zinc Coated
25	020201-002	Safety Washer ø3.2 Schnorr BN 791 Black Zinc Coated
26	VTC00B	Screw TCCE M3x12 UNI EN ISO 14579 - Black Zinc Coated
27	286112-801	Iris Group
28	DIS02I-001	Spacer
29	CID01M	Toothed Belt HTD 0681-3M-3.5
30	235107-001	Locking Plate
31	020003-002	Screw TCI M2x08 UNI 6107 - AISI
32	CAB073-801	Profile Motor Wiring
33	MOP01N	Single Shaft Motor 39 x 39 L=11
34	DIS02H-001	Spacer
35	FEM00A-001	Cylindrical End Stopper Ø6 M3

N.	Part Number	Description
36	086026-012	Cylindrical Spacer Ø6.3 ø5.1 h3
37	086026-002	Cylindrical Spacer Ø6.3 ø5.1 h2
38	086026-005	Cylindrical Spacer Ø6.3 ø5.1 h4.5
39	086026-003	Cylindrical Spacer Ø6.3 ø5.1 h2.5
40	086026-009	Cylindrical Spacer Ø6.3 ø5.1 h11
41	086026-001	Cylindrical Spacer Ø6.3 ø5.1 h1.5

SCENIUS PROFILE

Optical Assembly



N.	Part Number	Description
1	285103-803	FOCUS Lens Movement Group
2	285103-801	ZOOM Lens Movement Group
3	GUI007-001	Trolley for Linear Guide
4	VTC00A-001	Screw TCCE M3x08 UNI EN ISO 14579 - Black Zinc Coated
5	020210-020	Washer $\varnothing 3.2$ UNI 6592 - Black Zinc Coated
6	285009-801	Frost Blade Group ZOOM
7	285094-801	Zoom Lens Group
8	285010-801	FOCUS Group
9	298011-801	8 Drivers Board Group
10	285095-801	Focus Lens Group
11	VTC00C	Screw TCCE M3x14 UNI EN ISO 14579 - Black Zinc Coated
12	VTC00N	Screw TCCE M4x10 UNI EN ISO 14579 - Black Zinc Coated
13	031289	Cable Clamp $\varnothing 3.3$ PVC Black
14	020201-002	Safety Washer $\varnothing 3.2$ Schnorr BN 791 Black Zinc Coated
15	VTB005-001	Screw TBCE M3x06 UNI EN ISO 14583 - Black Zinc Coated
16	VTB007	Screw TBCE M3x12 UNI EN ISO 14583 - Black Zinc Coated
17	020101-001	Self Locking Nut M3 UNI 7473 - White Zinc Coated - Nylon Insert
18	020201-003	Safety Washer $\varnothing 4.1$ Schnorr BN 791 Black Zinc Coated
19	ROP005	Washer $\varnothing 4.3$ UNI 6592 - Black Zinc Coated
20	VTC00M	Screw TCCE M4x08 UNI EN ISO 14579 - Black Zinc Coated
21	286107-801	ZOOM
22	031956	Single Shaft Motor 42 x 42 L=24
23	PUD014-801	Toothed Pulley Z28 MXL
24	VTC01E	Screw TCCE M3x08 UNI EN ISO 14579 - White Zinc Coated
25	GUI006-001	Linear guide
26	020016-002	Grub Screw PP UNI 5923 M4x06 Black Zinc Coated
27	VTB004	Screw TBCE M3x04 UNI EN ISO 14583 - Black Zinc Coated
28	285113-001	Hall Sensor Support
29	SCH02J	Sensore Hall Electronic Board
30	PER01P-001	Return Belt Stud
31	020601-004	Circlips for Shaft C72 - UNI 7434 Brurnished 4 (albero $\varnothing 5$)
32	172016-001	Belt return Bush
33	021010	Ball Bearing $\varnothing 5 \times \varnothing 11 \times 5$ - 685 2Z
34	080697-002	Cylindrical Spacer $\varnothing 6.3 \varnothing 5.1$ H=1
35	VTC00B	Screw TCCE M3x12 UNI EN ISO 14579 - Black Zinc Coated
36	021607	Hexagonal Spacer MF M4 H=10 - Nickel-Plated Brass
37	081004-006	Cylindrical End Stopper $\varnothing 5$ M3 H10
38	285100-801	Friction Support Plate
39	020106-004	Medium Nut M5 UNI 5588 - White Zinc Coated
40	080812-001	Plunger Spring M5x12 -
41	188026-001	Motor Insulating
42	086026-012	Cylindrical Spacer $\varnothing 6.3 \varnothing 5.1$ h3
43	086026-006	Cylindrical Spacer $\varnothing 6.3 \varnothing 5.1$ h7
44	VTC00A	Screw TCCE M3x08 UNI EN ISO 14579 - Black Zinc Coated
45	VTS00M-001	Screw TSCE M3x16 UNI EN ISO 14584 - White Zinc Coated